



WATERWELL
PLANTERS®



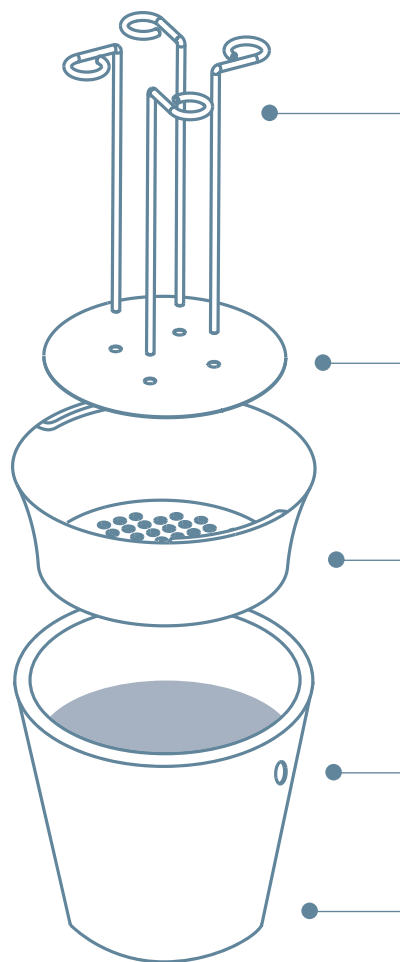
NO WATERING FOR MONTHS

For details and pricing:
1-800-953-2021
sales@benshaffer.com

OUR TECHNOLOGY

HOW DOES IT WORK?

- ☞ Two Thirds filled with Water, One Third filled with Soil
- ☞ Hydrating wicks draw water from the main well of the planter to your plants' roots via natural capillary action.
- ☞ Main well harvests & stores rain water and nourishes plants for months at a time without watering
- ☞ Overflow hole prevents plants from being over-watered



HYDRATING WICKS

draw water from the main well to your plants' roots via capillary action.

FILTER FABRIC

keeps soil in the tray while allowing rainwater to pass into the main well.

SOIL TRAY

holds plants and is removable for well filling.

OVERFLOW HOLE

releases excess rainwater so plants are never over watered.

MAIN WELL

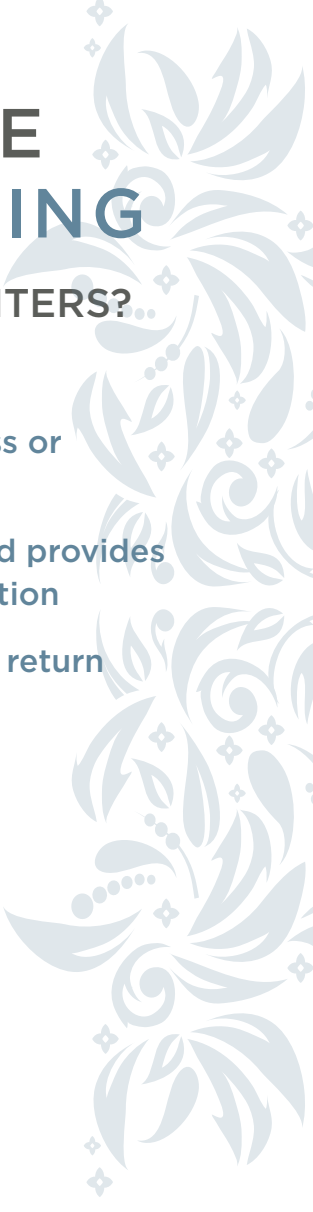
nourishes plants for weeks at a time, providing them the perfect amount of moisture.



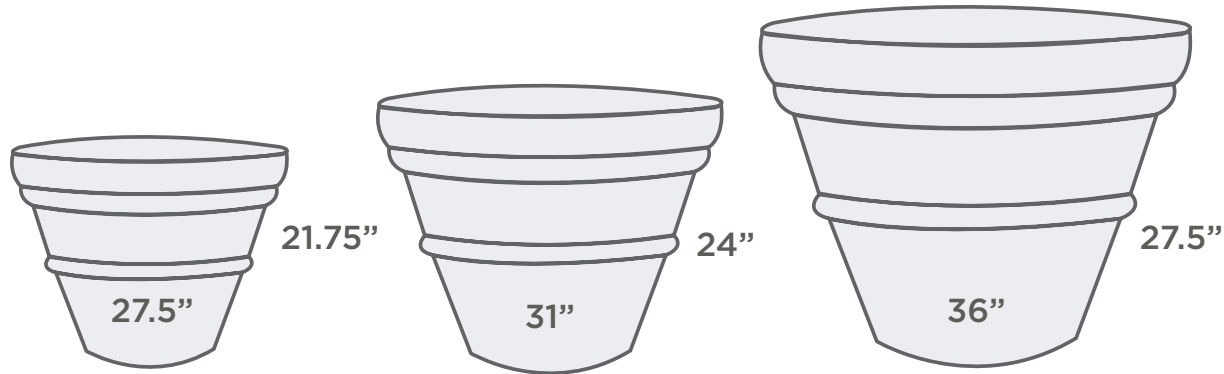
SUSTAINABLE SELF-WATERING

WHY WATERWELL PLANTERS?

- ☞ Customized for your business or institutions' needs
- ☞ Eliminates daily watering and provides the perfect amount of hydration
- ☞ Smart Investment: First year return on your investment



STREETSCAPE RESERVOIR PLANTERS



40+
COLOR
OPTIONS

OUR FEATURES

WHAT ARE THE BENEFITS?

- 🌿 Low maintenance, cost savings self-watering system
- 🌿 Easy to refill
- 🌿 Plant stays perfectly hydrated for months without needing to be re-filled
- 🌿 Optimal growth - No over or under watering

WHAT ARE THE BENEFITS?



HASSLE FREE

WaterWell Planters takes the tedium out of plant care, eliminating the need for daily/weekly trips to water your plants.



BE GREEN

The sustainable way to water, WaterWell Planters provides plants the perfect amount of moisture on a continuous basis, eliminating waste - and conserving water.



NATURE'S WAY

Our planter harvests rain water storing the water for later usage.



BE SMART

Boasting an industry-best longevity rate, our planters have been engineered to utilize 2/3 of a planter's volume for water storage, nourishing for months at a time.

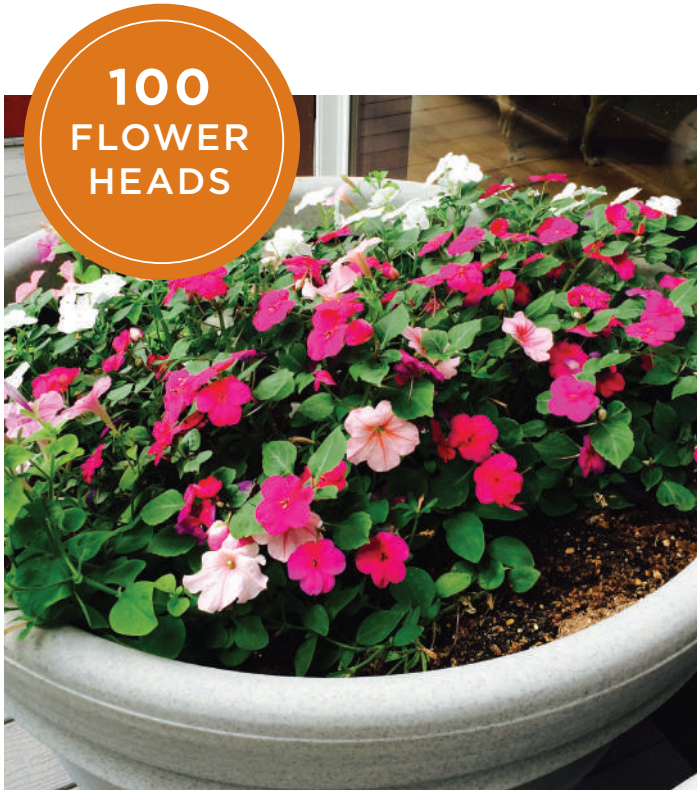


COST SAVINGS

Because WaterWell Planters nourishes for months at a time with no maintenance required, plants can be left unattended worry-free for months providing a huge cost savings on labor.

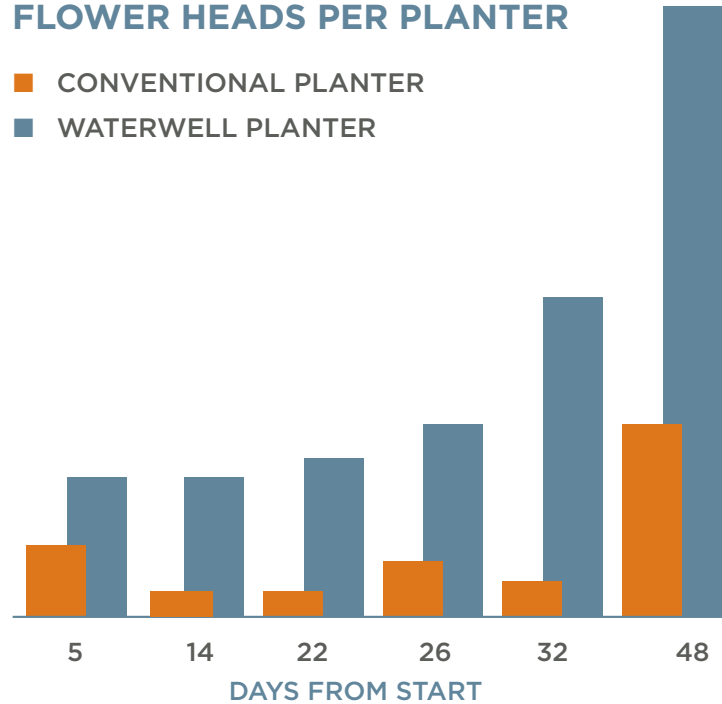
THE WATERWELL STUDY

AFTER 48 DAYS THE WATERWELL PLANTER OUT PERFORMED THE CONVENTIONAL PLANTER



FLOWER HEADS PER PLANTER

CONVENTIONAL PLANTER
WATERWELL PLANTER





WATERWELL
PLANTERS®

BEN SHAFFER RECREATION Inc.

Serving NJ since 1921



PARK, PLAYGROUND & STREETScape SOLUTIONS

1-800-953-2021

www.benshaffer.com

sales@benshaffer.com

DREAM * DESIGN * DELIVER